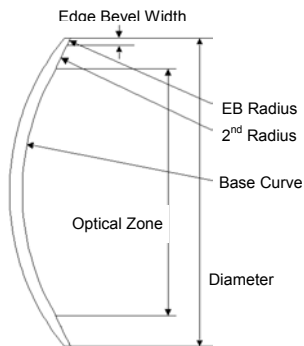


# GP Multi-Curve

gas permeable single vision contact lenses



- At a Glance** Traditional bi, tri, and quad curve GP lens designs  
Lathe cut to order from the material of your choice
- Base Curves** Any
- BV Powers** -30.00 D. to +30.00 D. in 0.125 D. steps
- Diameters** Any
- Optical Zones** Any, 1.40 mm smaller than diameter as standard
- 2<sup>nd</sup> Radius** Any, 1.20 mm flatter than base curve as standard
- Edge Bevel** Any, 0.20 mm width / 11.00 mm radius as standard
- Price** **Spheres** *call for pricing*  
**Torics** *call for pricing*

## Diagnostic Fitting Procedure

### Base Curve and Diameter Determination

Select an appropriate diagnostic lens based on K readings and corneal diameter size. Using standard fitting techniques and criteria, observe the diagnostic lens for position, movement and fluorescein pattern. Refine the fit as needed.

### BV Power Determination

Obtain an over-refraction over the best fitting diagnostic lens. Combine the spherical value of the over-refraction with the Diagnostic lens power to determine the final contact lens power required.

#### Note: Specifying Intermediate and Peripheral curves

Alden Optical Laboratories will apply our standard intermediate and peripheral curves if not specified by the practitioner. Intermediate (secondary) curves are typically 1.2mm flatter than the base curve. Peripheral curves are generally 2.0 to 3.0mm flatter than intermediate curve and .2 to .3 wide.

## Materials Available

Boston ES	Blue, Green, Brown
Boston EO	Blue
Boston XO	Blue
Boston RXD	Blue
Equalens	Blue
Boston II	Blue, Green
Boston IV	Blue
Boston 7	Blue
Paragon HDS	Blue
Fluorperm 30	Blue, Green, Clear
Fluorperm 60	Blue, Green, Brown, Clear
Fluorperm 92	Blue
Fluorperm 151	Blue
Paragon Thin	Blue
Paraperm O2	Blue, Green, Brown, Clear
Hybrid FS	Blue, Green, Clear
Hydro2	Blue
Fiosi	Blue, Green, Brown, Gray
AccuCon	Clue, Green, Gray, Brown, Clear
PMMA	Blue#1, Green#1, Gray#1, Brown#1, Clear#1

## Empirical Fitting Procedure

### Base Curve Determination

Amount of Corneal Cylinder	Base Curve Selection
0.00 to 1.00 D.	Fit on flat K to 0.25D. steeper than flat K
1.25 to 2.00 D.	Fit 0.25D. to 0.50D. steeper than flat K
2.25 to 3.00 D.	Fit 0.50D. to 0.75D. steeper than flat K

### Diameter / Optical Zone Determination

Base Curve	Diameter (suggested)	Optical Zone (suggested)
6.99 & steeper	8.80	7.20
7.00 to 7.39	8.80	7.40
7.40 to 7.79	9.00	7.40
7.80 to 8.19	9.20	7.60
8.20 & Flatter	9.40	7.80

### BV Power Determination

Convert spectacle Rx to minus cylinder form. Adjust power for vertex distance if greater than 4.00 D. Determine *tear lens* power by calculating the difference between base curve and flat K. Combine the spherical component of the spectacle Rx (corrected for vertex distance when required) with the tear lens power to obtain the final contact lens power required.

**Or, provide our consultation department with K readings and spectacle Rx, and let us design your lenses for you.**



**BAUSCH + LOMB**  
Specialty  
VISION PRODUCTS